

PPC-3712GS

Ultra slim Intel® Pentium® M Solution
with 12.1" color LCD and IP65 water proof Panel PC

Feature

- 12.1" LCD with 7.34cm ultra slim design panel PC.
- Low Power, Intel® Pentium® M / Celeron® M CPU upto 2.1GHz for socket type
- Onboard Celeron® M 1GHz zero cache for BGA type.
- DDR 266/200 SO-DIMM memory upto 1GB
- Aluminum Die Casting front panel with IP65 standard
- Gigabit Ethernet support

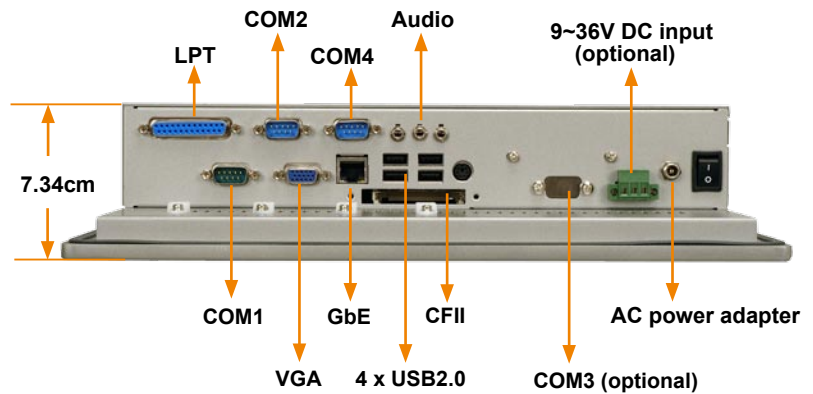


Touch Screen



IP65 Water Proof

Fully Integrated I/O



Dual Display Support

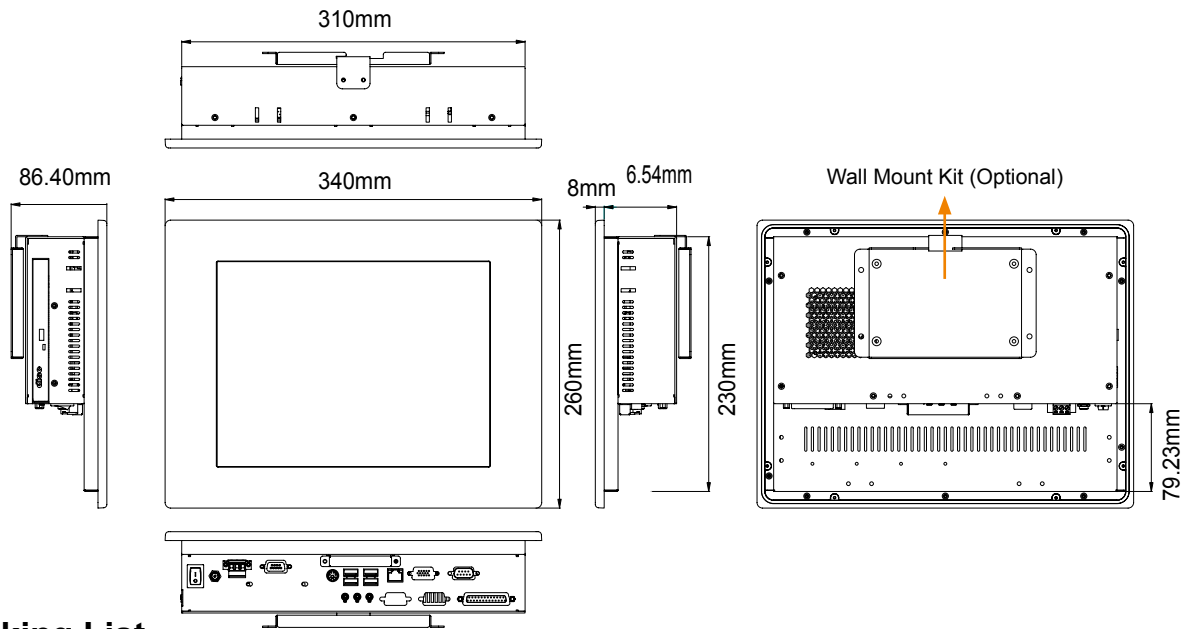


9~36V DC input

Specification

CPU	-Socket-479 base Intel®Pentium® M / Celeron® M support FSB 400 MHz up to 2.1GHz -On board Intel Celeron® M 1GHz zero cache	LCD	- Resolution :800 x 600 - Brightness : 400 cd/m2 - Contrast Ratio : 500:1 - LCD MTBF : 50000hrs - Backlight MTBF : 30000hrs
Chipset	Intel® 852GM + ICH4	Shock	10G acceleration peak to peak. (11ms)
Memory	1 x DDR 266/200 SO-DIMM socket up to 1GB	Relative Humidity	5 ~ 95%, non-condensing.
VGA	Chipset integrated, Intel® Extreme Graphic, dual display supports	Operating Temperature	0 ~ 50° C.
Ethernet	Intel® 82541 Gigabit Ethernet controller	Dimensions	340(w) * 260(H) * 73.4(D)mm
Audio	AC '97 Codec	Net/Gross Weight	6/8 Kg
I/O	- 4 x RS-232 ports (1 for optional touch screen) - 4 x USB 2.0 ports - 1 x PS/2 ports (KB/MS)	Touch Screen	Optional RS-232 touch screen
SSD	1 x Compact Flash type II socket	Power	-80W power adapter for socket model -55W power adapter for BGA model
Drive Bays	- 1 x slim type CDROM bay - 1 x 2.5" HDD bay		

Dimensions



Packing List

◆ Standard

1 x PS2 K/M Y-cable P/N:19100-000038-RS	1 x 80W Power adapter for socket type P/N:63000-SPU65105-RS
1 x Slim CD-ROM installation kits P/N:19B00-000032-RS	1 x 55W Power adapter for BGA type P/N: 63000-UP0601E12PL51-RS
1 x Driver CD	1 x CPU COOLER P/N:19100-000045-RS

Ordering Informations

◆ Socket Type

PPC-3712GS/8522	12.1" TFT Panel PC with NANO-8522
PPC-3712GS/8522/T-R	12.1" TFT Panel PC with NANO-8522, and touch screen
PPC-3712GMS/8522	12.1" TFT Panel PC with NANO-8522, 9~36V DC input
PPC-3712GMS/8522/T-R	12.1" TFT Panel PC with NANO-8522, touch screen, and 9~36V DC input

◆ BGA Type

PPC-3712GS/8522-1GZ	12.1" TFT Panel PC with Intel Celeron M 1GHz zero cache on NANO-8522 ,
PPC-3712GS/8522-1GZ/T-R	12.1" TFT Panel PC with Intel Celeron M 1GHz zero cache on NANO-8522, and Touch Screen
PPC-3712GMS/8522-1GZ	12.1" TFT Panel PC with Intel Celeron M 1GHz zero cache on NANO-8522, and 9~36V DC input
PPC-3712GMS/8522-1GZ/T-R	12.1" TFT Panel PC with Intel Celeron M 1GHz zero cache on NANO-8522, Touch Screen, and 9~36V DC input

Optional

Stand-100	LCD Monitor mounting solution
19Z00-000024-RS	Panel mount kit
RK-121MS	Rack mount kit
WK01-RS	Wall mount kit

